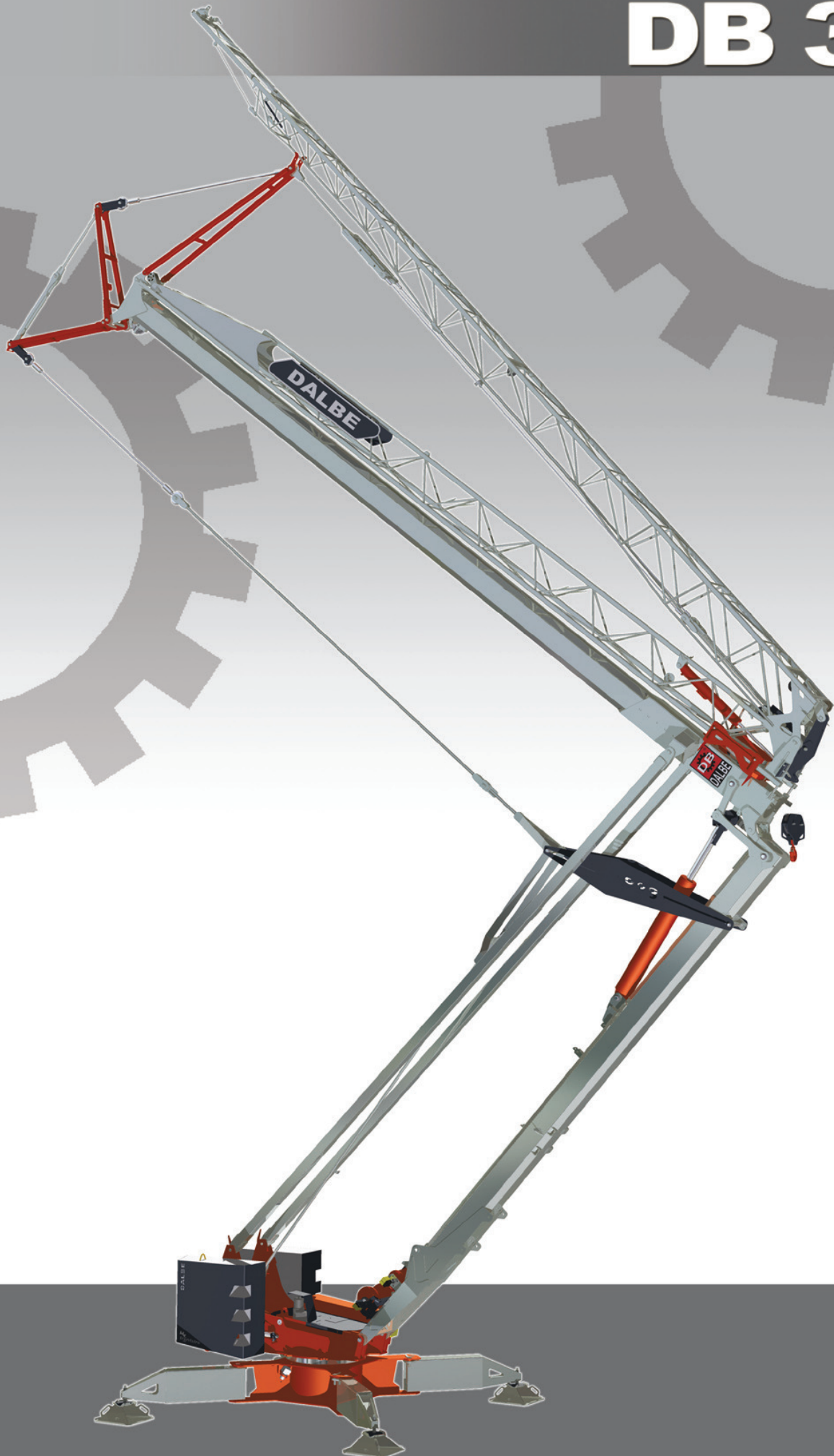
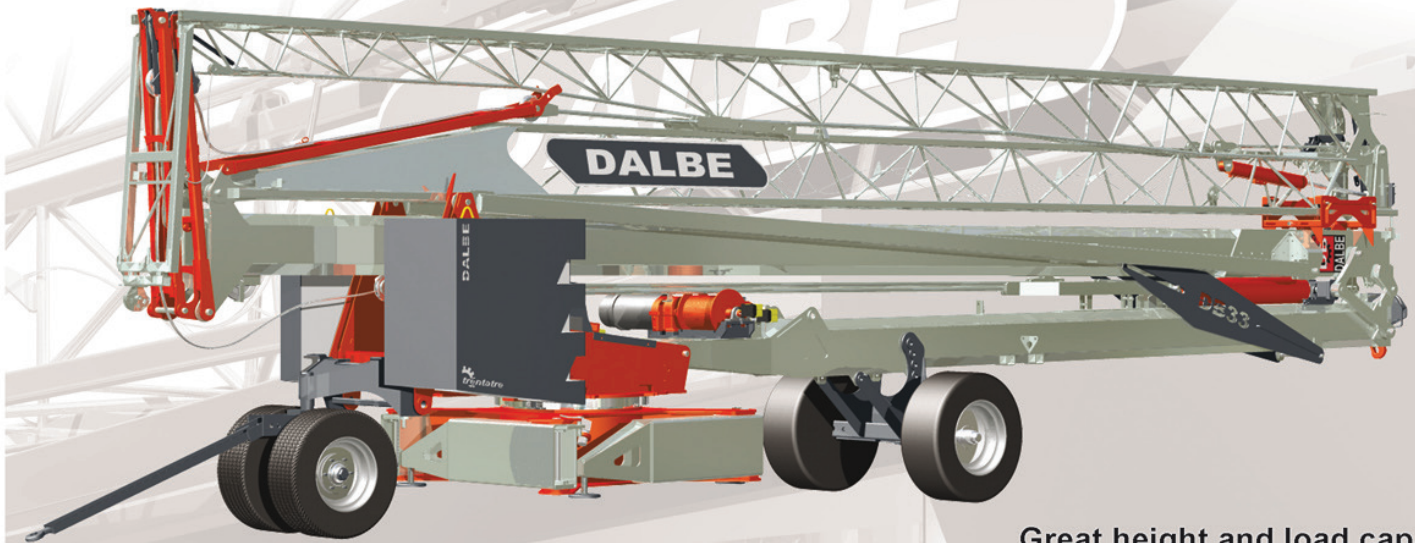


DB 33



DB 33

The ideal crane: shaped in a masterly way to match working needs.
La gru ideale: plasmata in modo magistrale sulle esigenze del lavoro.



Great height and load capacity,
 compact transportation size,
 minimal footprint at the base:
 top level performance.

*Altezza e capacità di carico elevate,
 dimensioni al trasporto compatte,
 ingombri alla base ridottissimi:
 efficienza al top.*

STANDARD FEATURES

REMOVABLE BALLAST



SSM



ASD

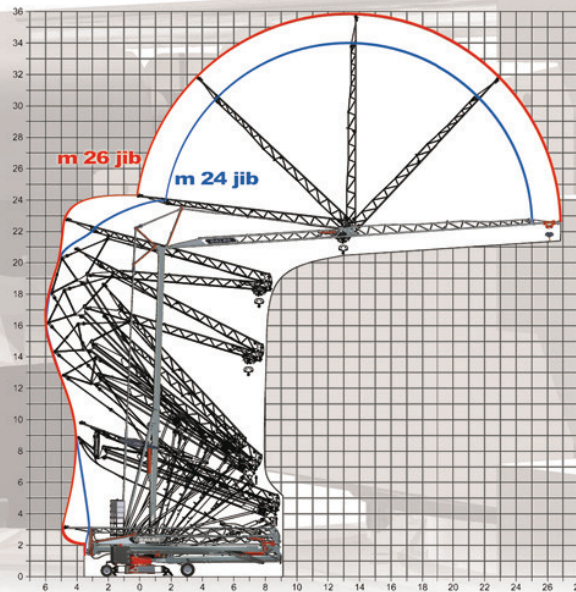


All Systems Down
 maintenance at ground level

QLS







Quick Load
 Limiters Setting



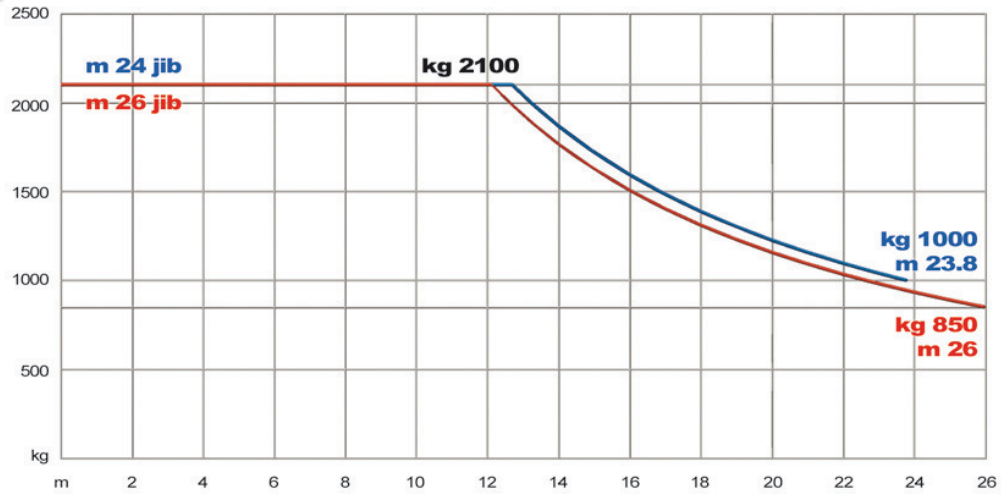
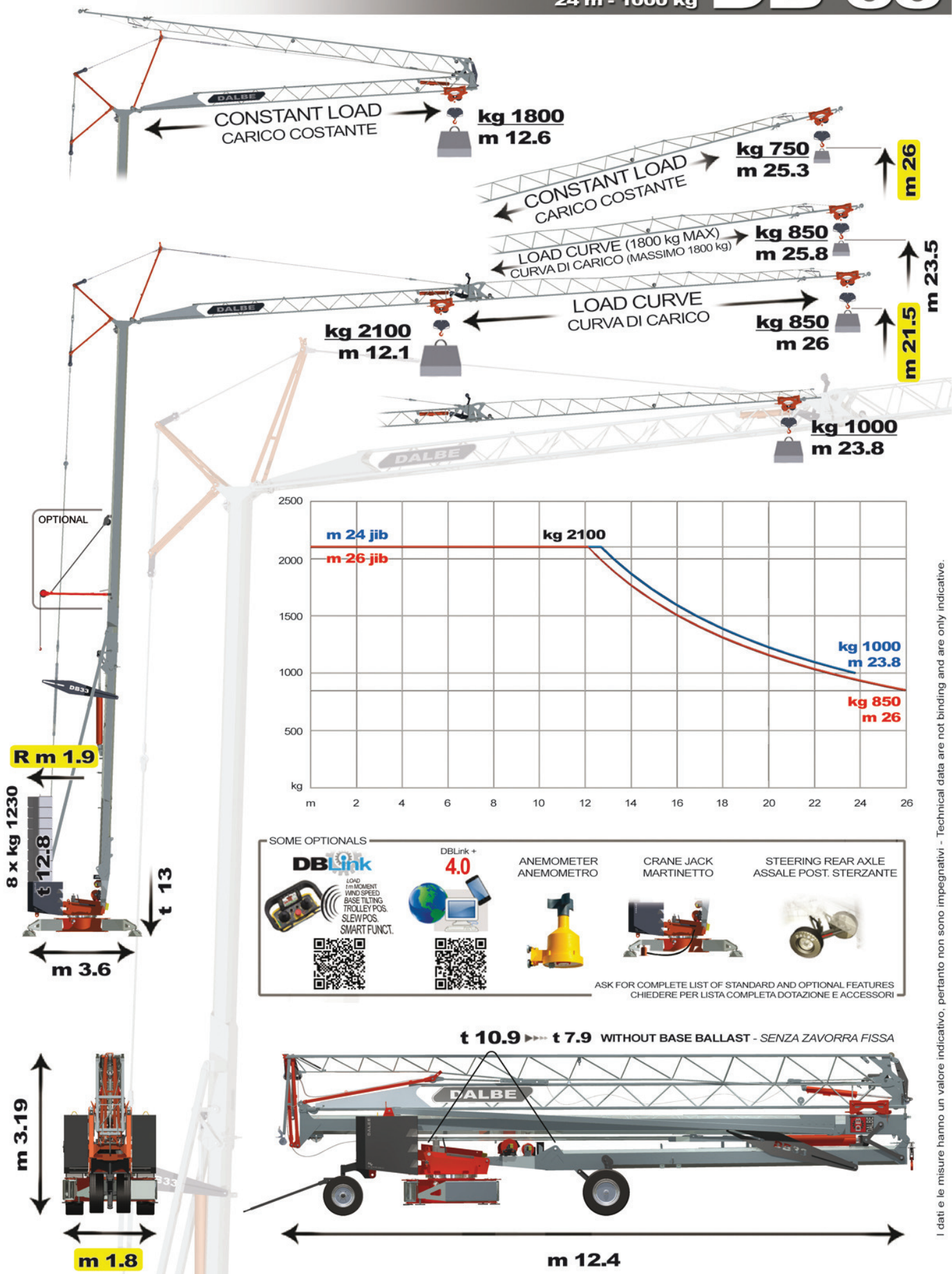
crane and complete ballast on 1 truck
 gru e zavorra completa su 1 camion



50 Hz	DB 33 V 			DB 33 X  												
	Three-Phase Trifase	400 V 9.1 kVA		Three-Phase Trifase	400 V 9.1 kVA	Single-Phase Monofase	230 V 6 kW	230 V 4.5 kW	230 V 3 kW							
		m / min	kg		m / min	kg	m / min	kg	m / min	kg						
	1	5	2100	1	5	2100	5	2100	5	2100						
	2	2 nd SPEED AUTO SELECTION	20	2100	2	2 nd SPEED AUTO SELECTION	14	1800	14	1250	11	1250				
	2+		23	1800	2+		24	750	21	750	16	750				
7.3 kW	3	VARIOMATIC	32	1250	3	VARIOMATIC	32	1250	3	3 rd SPEED AUTO SELECTION	30	500	26	500	22	500
	3+		42	750	3+		42	750	3+		42	250	38	250	34	250
	ELECTRONIC															
		m / min	kg		m / min	kg		m / min	kg		m / min	kg				
1.5 kW	1	0	19	2100	1	0	19	2100	1	0	19	1250	2	0	38	1250
	2	0	38	1250	2	0	38	1250	ELECTRONIC							
1.84 kW		rpm			rpm					rpm				rpm		
	1	0	0.4		1	0	0.4		1	0	0.4		2	0	0.9	
ELECTRONIC																
1.84 kW																

26 m - 850 kg
24 m - 1000 kg

DB 33



SOME OPTIONAL

- DBLink**
LOAD FIX-MOUNT
WIND SPEED
BASE TILTING
TROLLEY POS.
SLEW POS.
SMART FUNCT.
- DBLink+ 4.0**
- ANEMOMETER ANEMOMETRO**
- CRANE JACK MARTINETTO**
- STEERING REAR AXLE ASSALE POST. STERZANTE**

ASK FOR COMPLETE LIST OF STANDARD AND OPTIONAL FEATURES
CHIEDERE PER LISTA COMPLETA DOTAZIONE E ACCESSORI

DIN 15018 - H1 B2/B3 - 15019 - 18800 **CE** EN 14439 C25 - D25

I dati e le misure hanno un valore indicativo, pertanto non sono impegnativi - Technical data are not binding and are only indicative.

